

pufferfish

The PufferSphere XL

rugged versatility



Simple, flexible and tour-toughened, ground-standing or inverted the PufferSphere XL offers a full 360 Video display with no blank spots and a sub 15 minute set-up time.

Rugged and modular, the PufferSphere XL's versatility allows stunningly simple volumetric video installations across environments. Switch seamlessly between large format inflatable and smaller high-brightness HardBall spheres as your clients require.

Add multi-touch interactivity, and open up the possibilities for engagement, entertainment and experience still further.

Dimensions without sphere - 850mm x 950mm

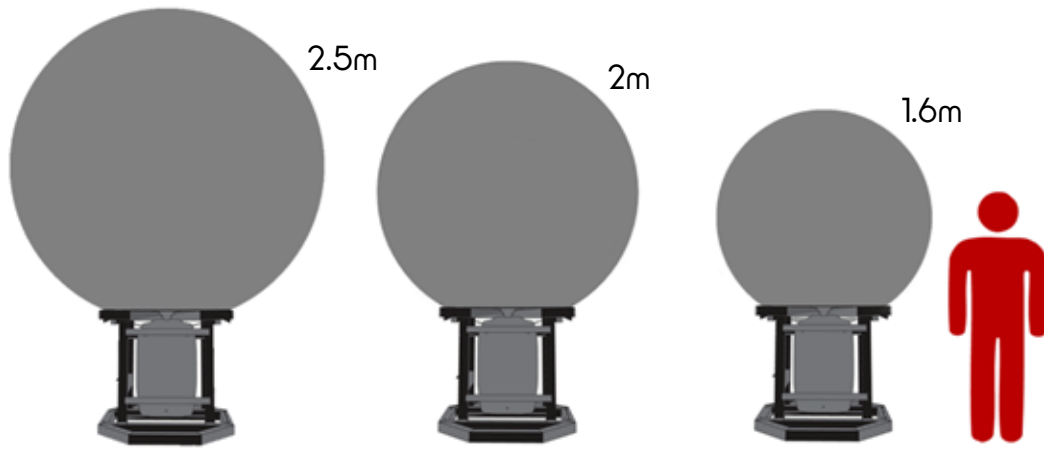
Hardshell Spheres from 600mm - 1200mm dia
Inflatable Spheres from 1600mm - 2500mm dia

Available with:

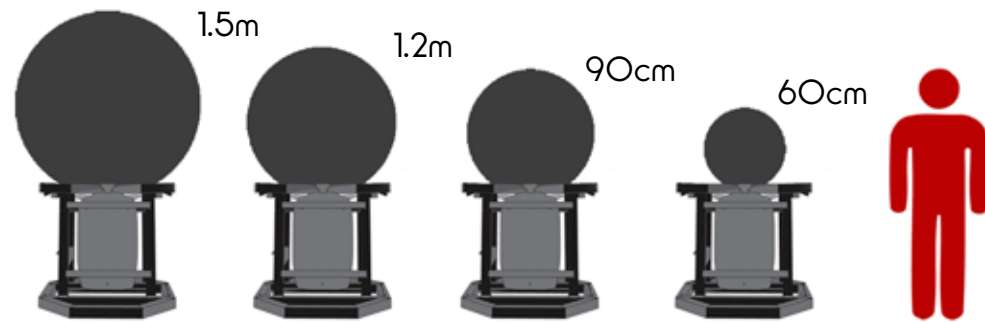
Barco CLM R10+ and CLM HD8

www.pufferfishdisplays.co.uk - T +44 (0) 131 668 3360

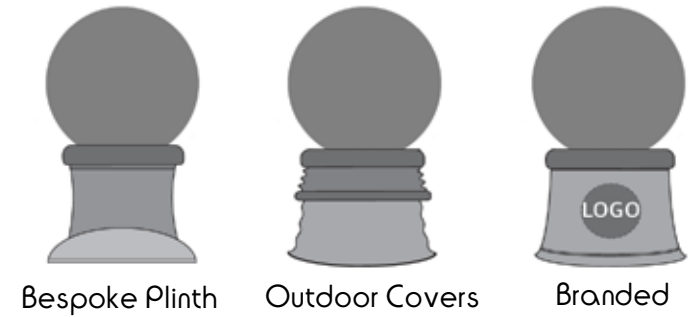




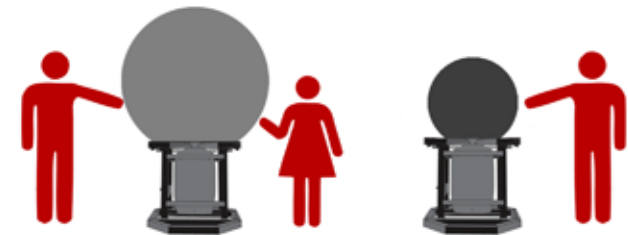
XL Inflatable



XL Hardshell



Any orientation - even during operation



Interactive Modules

Content creation and deployment:

The PufferSphere XL is designed to integrate into your preferred workflow. Whether you wish to create your own 'spherical' content via After Effects or C4D or deploy straight from a media server - Hippotizer, Catalyst, Maxedia. The interactive application is TUIO enabled. Generative content can also be developed in OSG, Quartz, Processing or Blender.

